

**SPARE PARTS LIST/ERSATZTEILLISTE/LISTE DE PIÈCES DE RECHANGE**
**SYNCONTA 700**

Valid from Serial Number: 100 -

Page :  
 Issue of : 28/10/2011  
 Supersedes Issue :  
 Issue No. : 01  
 Drawing ref. Nr. : ANS18125-01

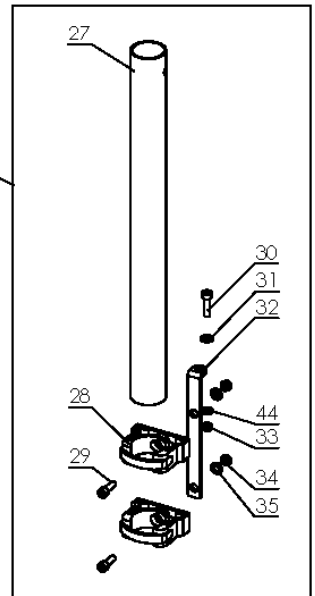
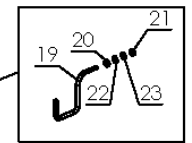
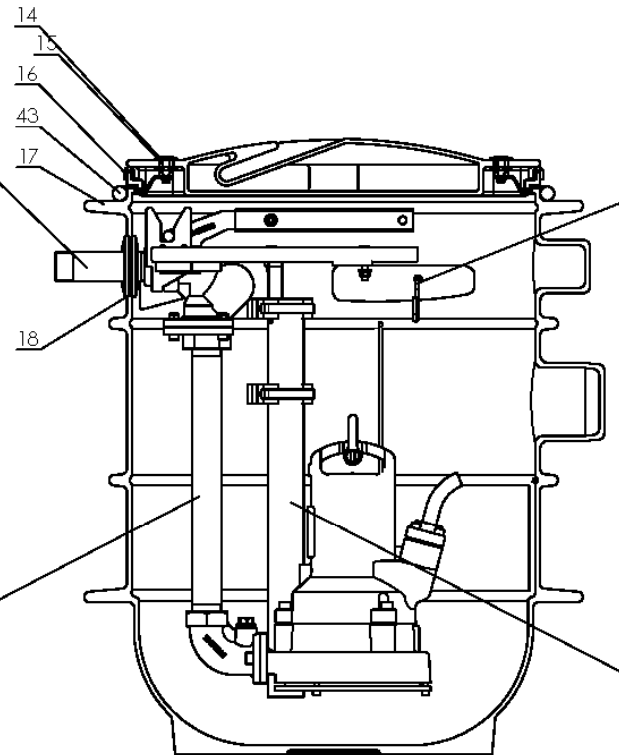
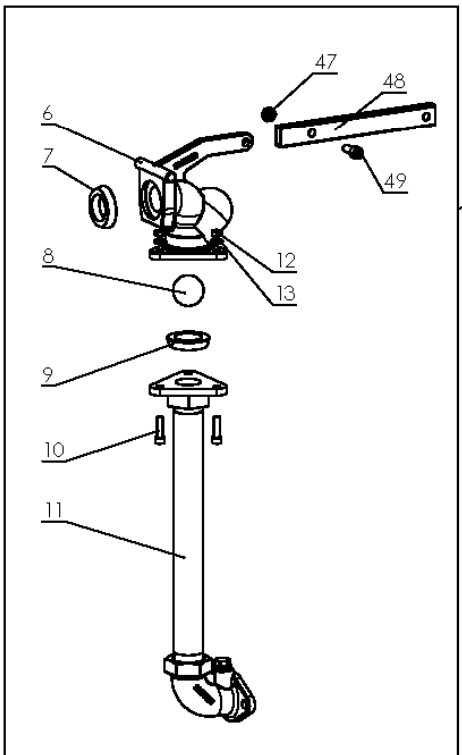
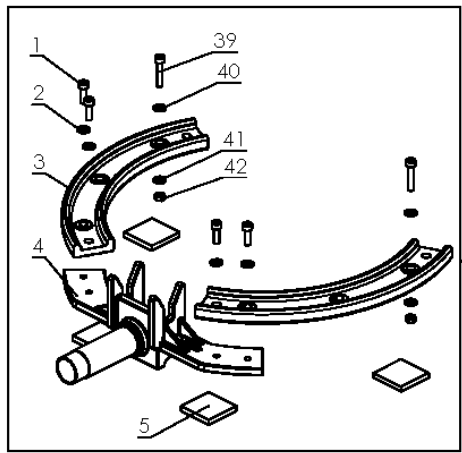
Pos. No.	Part No.	Kit	Qty	Description	Benennung	Designation	Dimensions /Din	Comments	Price
1	11210243		4	Cylinder screw	Zylinderschraube	Vis à tête cylindrique	M8x25 DIN912	1.4401	
2	11470016		4	Washer	Scheibe	Rondelle	A8.4 DIN125	1.4401	
3	32485010		2	Fixing ring	Haltering	Bague			
4	25105008		1	Pipework	Verrohrung	Tuyauterie	G 1¼"		
5	44275012		4	Vibration damper	Vibrationsdampfer	Joint moteur			
6	31425105		1	Pedestal Bracket	Haltewinkel	Butée	DN32		
7	43070179		1	Seal	Dichtung	Joint	60x38x12		
8	44270051		1	Ball	Kugel	Bille	Ø43mm		
9	43070179		1	Seal	Dichtung	Joint	60x38x12		
10	11210238		3	Cylinder screw	Zyl.Blechschrabe	Vis à tête plate	M8x30 DIN912	1.4401	
11	25105007		1	Pipework	Verrohrung	Tuyauterie	DN32		
12	11400084		3	Hexagonal nut	Sechskantmutter	Ecrou hexagonal	M8 DIN985	1.4401	
13	11470016		3	Washer	Scheibe	Rondelle	A8.4 DIN125	1.4401	
14	13245005		2	Latch	Schließkappe	Translation required			
15	42485023		1	Lid	Deckel	Couvercle			
16	43075148		1	Seal	Dichtung	Joint			
17	42885034		1	Tank	Behälter	Reservoir			
18	43075121		1	Seal	Dichtung	Joint	DN50		
19	14995002		1	Shackle	Schäkel	Manille			
20	11400061		1	Hexagonal nut	Sechskantmutter	Ecrou hexagonal	M5 DIN934	1.4301	
21	11400049		1	Hexagonal nut	Sechskantmutter	Ecrou hexagonal	M5 DIN985		
22	11470017		1	Washer	Scheibe	Rondelle	A5.3 DIN125		
23	11470017		1	Washer	Scheibe	Rondelle	A5.3 DIN125		
27	41385050		1	Pressure pipe	Staurohr	Pressostat	550 mm long		
28	15075004		2	Hose clamp	Schlauchschele	Collier	50mm		
29	11210243		2	Cylinder screw	Zylinderschraube	Vis à tête cylindrique	M8x25 DIN912	1.4401	
30	11210238		1	Cylinder screw	Zyl.Blechschrabe	Vis à tête plate	M8x30 DIN912	1.4401	
31	11470016		1	Washer	Scheibe	Rondelle	A8.4 DIN125	1.4401	
32	41425082		1	KS Bracket	KS Haltewinkel	KS butée flotteur			
33	11400084		1	Hexagonal nut	Sechskantmutter	Ecrou hexagonal	M8 DIN985	1.4401	
34	11400084		2	Hexagonal nut	Sechskantmutter	Ecrou hexagonal	M8 DIN985	1.4401	
35	11470016		2	Washer	Scheibe	Rondelle	A8.4 DIN125	1.4401	
36	11210244		2	Cylinder screw	Zylinderschraube	Vis à tête cylindrique	M10x25 DIN912	1.4401	
37	43070159		1	Gasket	Flachdichtung	Joint plat			
38	13245004		1	Key	Schlüssel	Translation required			
39	11210234		2	Cylinder screw	Zylinderschraube	Vis à tête cylindrique	M8x40 DIN912	1.4401	
40	11470016		2	Washer	Scheibe	Rondelle	A8.4 DIN125	1.4401	
41	11470016		2	Washer	Scheibe	Rondelle	A8.4 DIN125	1.4401	
42	11400084		2	Hexagonal nut	Sechskantmutter	Ecrou hexagonal	M8 DIN985	1.4401	
43	11125011		1	O-ring	O-ring	Joint torique	Ø20x580 EPDM		
44	11470016		1	Washer	Scheibe	Rondelle	A8.4 DIN125	1.4401	
45	43075075		1	Cable seal	Kabeldichtung	Joint de kabel	Ø80	EPMD	
46	14990248		1	Shackle	Schäkel	Manille	8mm BOW TYPE	1.4401	

**SPARE PARTS LIST/ERSATZTEILLISTE/LISTE DE PIÈCES DE RECHANGE**
**SYNCONTA 700**

Valid from Serial Number: 100 -

Page :  
 Issue of : 28/10/2011  
 Supersedes Issue :  
 Issue No. : 01  
 Drawing ref. Nr. : ANS18125-01

<b>Pos. No.</b>	<b>Part No.</b>	<b>Kit</b>	<b>Qty</b>	<b>Description</b>	<b>Benennung</b>	<b>Designation</b>	<b>Dimensions /Din</b>	<b>Comments</b>	<b>Price</b>
47	11400055		1	Hexagonal nut	Sechskantmutter	Ecrou hexagonal	M10 DIN985	1.4401	
48	41425111		1	Lifting device	Hebevorrichtung	Mecanisme de levage	Stainless steel		
49	11210244			Hexagonal screw	Sechskantschraube	Vis hexagonal	M10x25 DIN912	1.4401	



PARTS IN PLASTIC BAG

