

LAMELLA settler



MAIN INDUSTRIES AND APPLICATIONS

Lamella is a world-leading inclined plate settler, designed to maximize settling efficiency with minimal footprint. The unique flow control system represents a breakthrough in modern plate settler design and has contributed significantly to the excellent reliability and efficiency of the Lamella. The Lamella settler can reduce the footprint to as little as 10% of a traditional sedimentation tank. That makes it ideal for expanding capacity in existing plants or whenever space is scarce or costly.

We have more than 40 years experience of providing information for proper choice of equipment and delivering operating results.

Lamella settlers provide excellent separation and clarification performance in a wide variety of water treatment applications, such as:

- Pre-water treatment
- Backwash water treatment
- Primary and secondary settling
- Tertiary treatment
- Sludge thickening
- Industrial process water
- Chemical industry – purification and thickening
- Pulp and paper industry
- Iron and steel industry, mill scale removal
- Metal finishing – treatment of metal surfaces
- Metal hydroxide wastewater
- Pressure/vacuum filtrate clarification
- Purification in biological cleaning processes
- Recirculation of water in the potato and vegetable industry
- Treatment of water in power plant dust scrubbers



FEATURES AND BENEFITS

1 Plate design for enhanced separation

- Higher flow capacity on less footprint than conventional sedimentation
- Improved settling results on the same footprint
- Excellent hydraulic design ensures even flow distribution over the Lamella plates

2 Inlet openings for uninterrupted settling

- The liquid enters the plates through the sides in a unique and well proven flow control system to ensure that each individual plate receives the same flow rate
- Settled material falling off the plate is not disturbed

3 Well proven sustainable design

- Efficient separation of solids with basically no energy consumption involved
- None or a few moving parts gives reliable operation with long economic life span
- Lamella separators are designed to meet different site requirements and corrosive environments
- Various materials; stainless steel, painted mild steel or FRP

4 Automatic cleaning of Lamella plates with CleanBot

- Considerable savings in water and energy
- Improved water outlet quality due to regular cleaning
- Increased personnel safety



A WIDE RANGE FOR MAXIMUM FLEXIBILITY

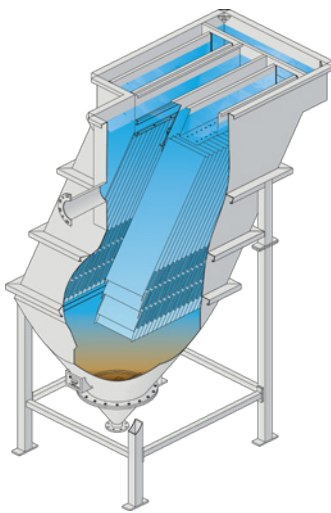
The Lamella settler is available as free-standing models or plate packs, in different sizes and plate distances. All models can be customized for various needs. The free-standing models can optionally be equipped with one or more flocculation tanks with agitator and rapid mixer to improve flocculation and sedimentation. The Lamella settler is easy to install and with the few moving parts the operating and maintenance costs are very low.

LS – Lamella separator

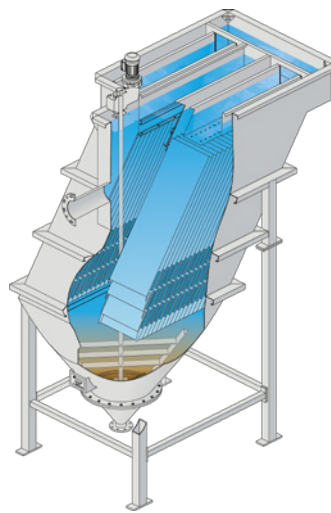
The LS model consists of an independent Lamella separator with conical sludge hopper. The sludge is being removed by water pressure when a valve is opened. A rotating sludge scraper in the hopper is available as an option.

LT – Lamella thickener

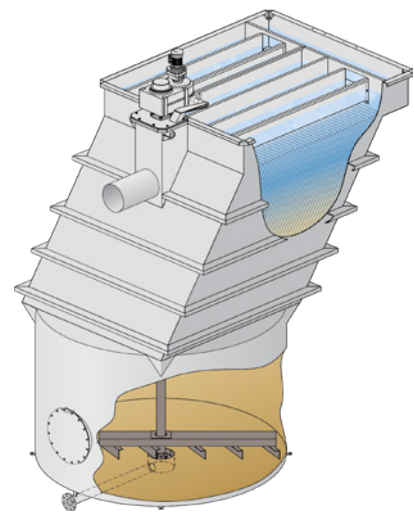
The Lamella thickener is a tank model combined with a Lamella separator and a sludge thickening device with rotating sludge scraper. These units are designed for flows and applications with high solids content and thickened underflow and therefore has a cylindrical shape sludge compartment.



Lamella LS standard version



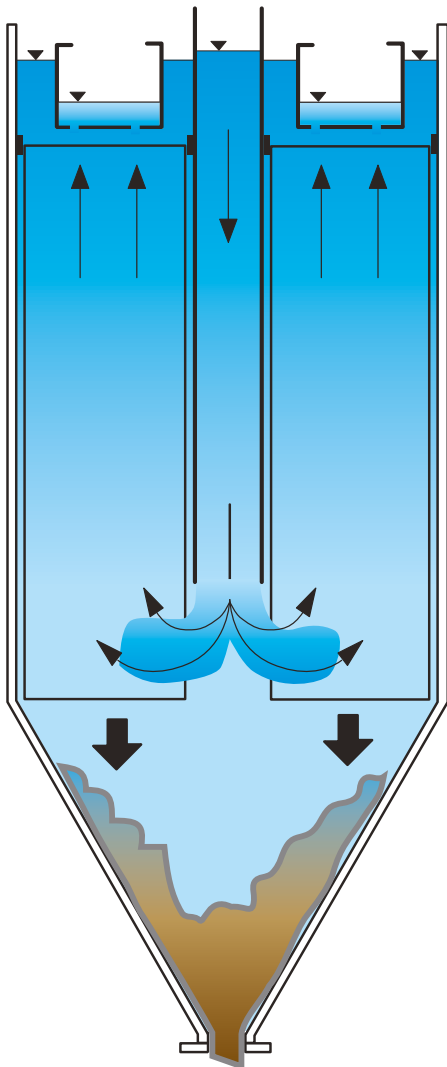
Lamella LS with sludge scraper



Lamella LT plate thickener with
sludge thickening bottom tank

Flocculation tank

Both models LS and LT, can be equipped with a flocculation tank with an agitator. The tank can be equipped with a rapid flash mixer for efficient mixing of the flocculation agents.



How the Lamella settler works

The feed enters through the feed pipe. As the liquid flows upward between the plates, the solids settle on the inclined plates and slide into the sludge hopper at the bottom of the unit. In the hopper, the sludge is thickened prior to discharge. The clarified liquid leaves the plate through openings at the top and is discharged into collection channels leading to the water outlet.

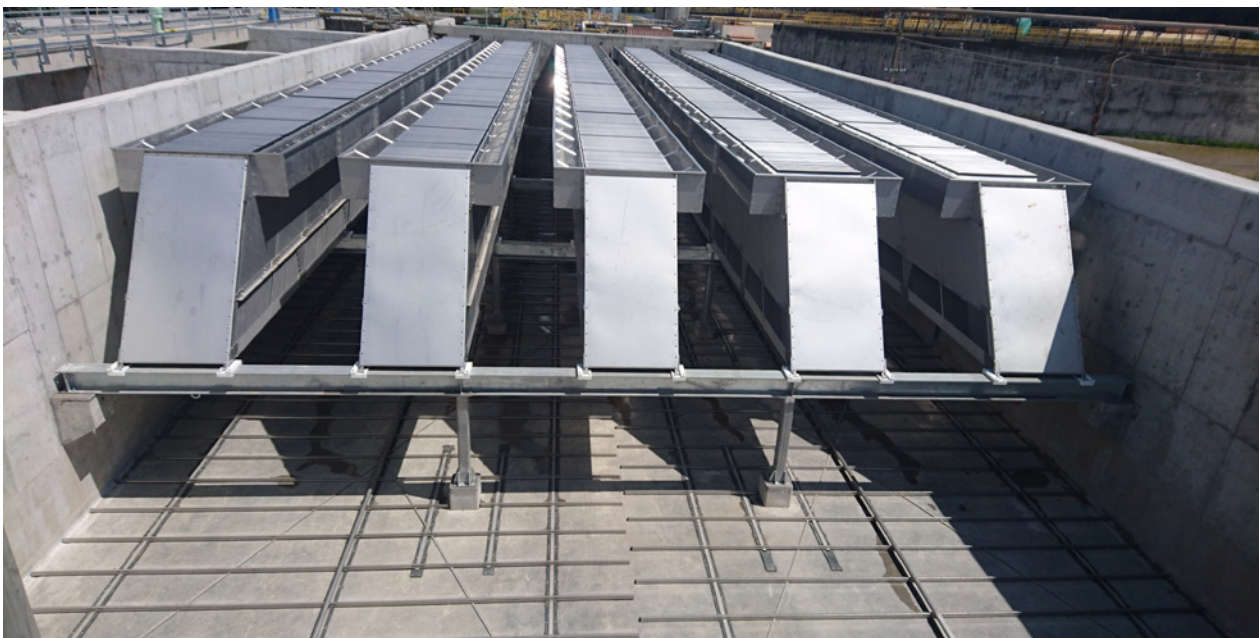
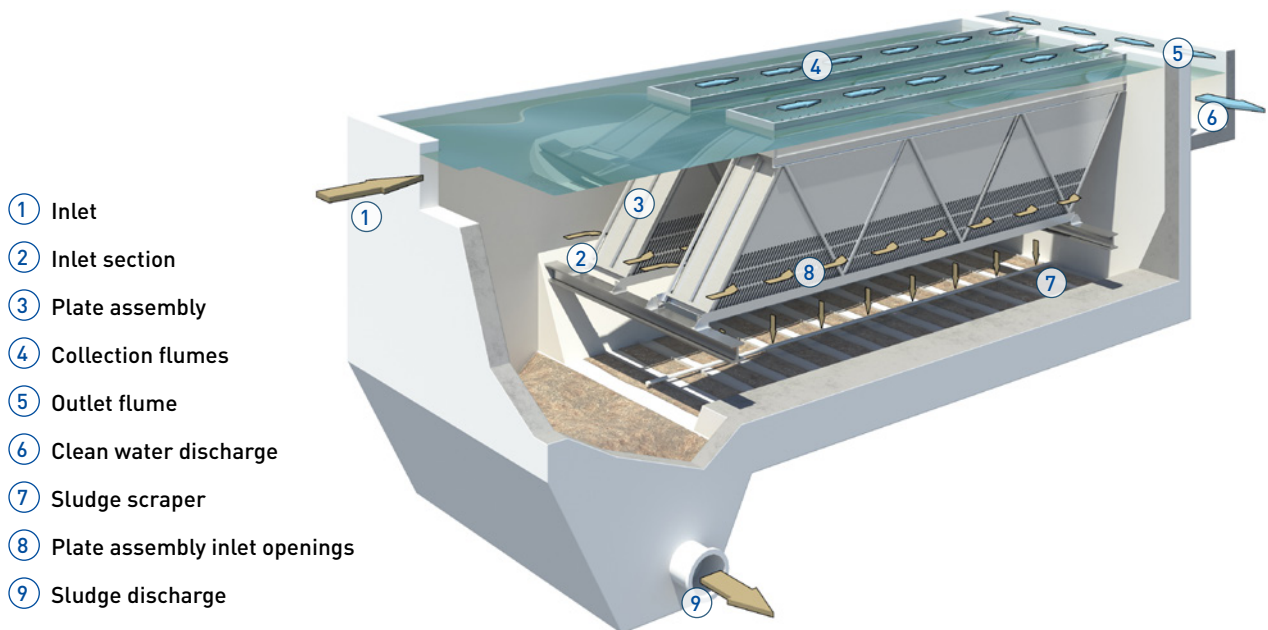
The even distribution of the flow to each plate ensures optimal operation at a high capacity. The side entry of the fluid prevents the solids that have settled from being carried away with the entering fluid.

INSTALLATION IN TANKS AND BASINS

Plate packs

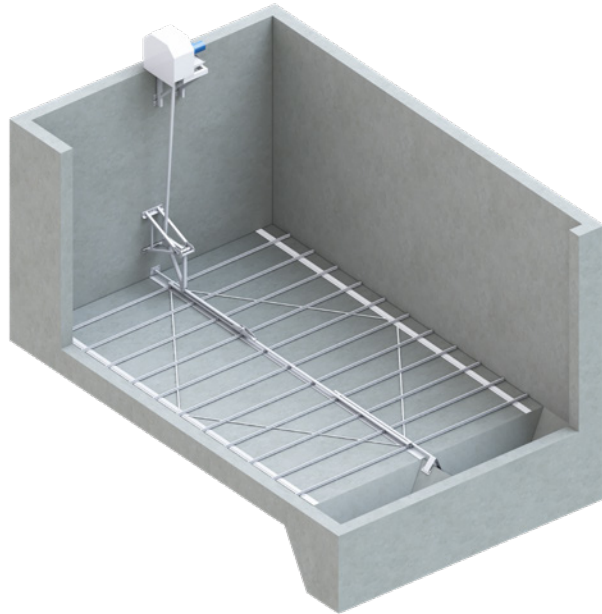
The models LP and LPS plate packs are made for installation in steel tanks or concrete basins. They are mainly used in large municipal facilities, but also work well in smaller plants and industries. The LP and LPS models offer significant cost savings

and are particularly well suited for retrofitting to increase the capacity in existing basins. The plate packs are ideally combined with a Zickert bottom sludge scraper.



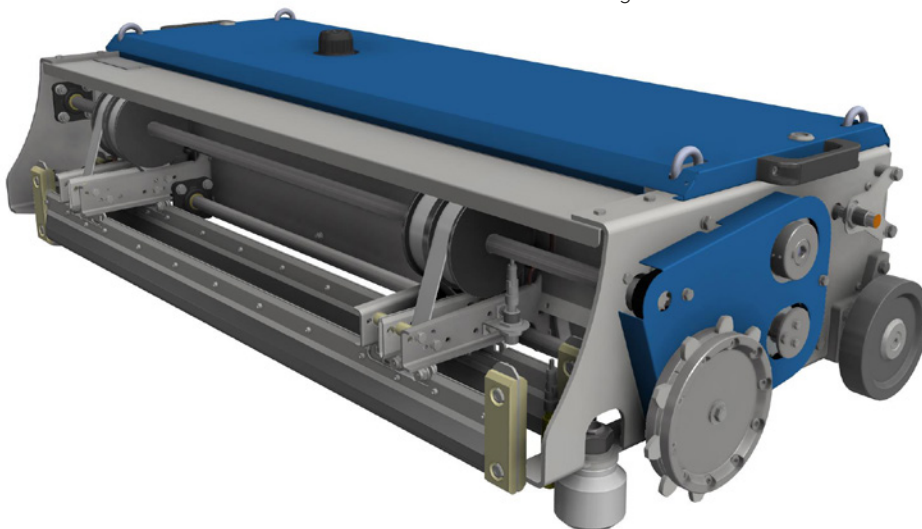
Zickert bottom sludge scraper

The Zickert sludge scraper is ideal for installation underneath Lamella packs due to its very low profile. It is specially designed for continuous sludge thickening and removal without disturbing the sludge blanket or interrupting the sedimentation process.



Lamella CleanBot

We recommend regular cleaning of the Lamella plates to avoid sludge accumulation. Using the automatic operated Lamella CleanBot, cleaning is performed without personnel during normal operation. There is no need to take the Lamella out of operation or to lower the water level for cleaning.



www.nordicwater.com
www.sulzer.com

