

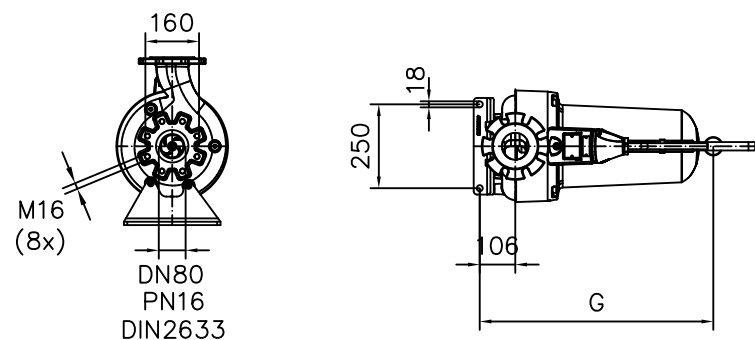
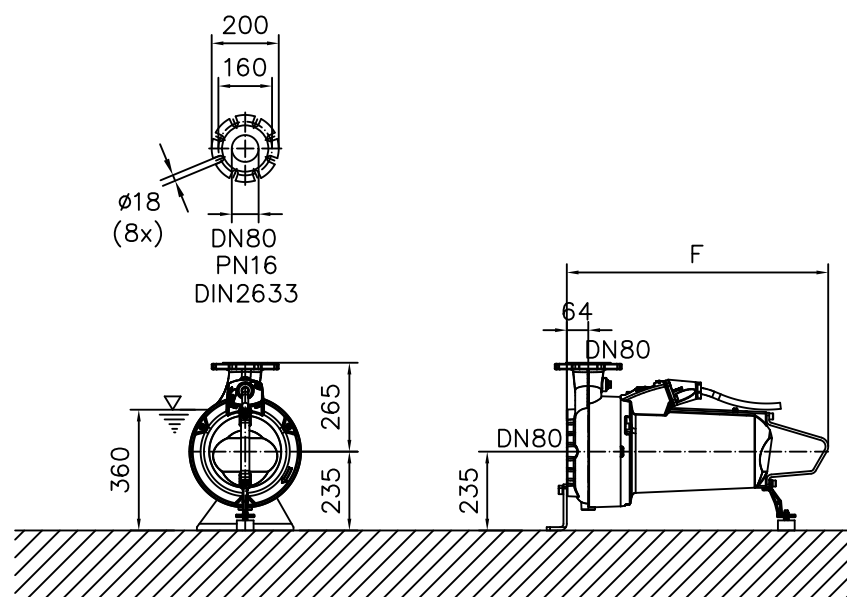
SULZER

Massblatt XFP 81E-VX Trockeninstallation
 Dimension sheet DRY-WELL Installation
 Dimensioni Installazione a secco
 Hoja de dimensiones instalacion en seco
 Plan d'encombrement Installation a sec

No: AN-M.22.622 -04
 Drawn: 11.08.10 / D.Whelan
 Issue Date: 10/06/2019
 Znderungen vorbehalten
 Technical changes reserved
 Con riserva di modifiche
 Con reserva de modificaciones
 Sous réserve de modification

50 Hz**S.I.**

Typ Type Tipo	Gewicht Weight Poids Peso (kg)	F (mm)	G (mm)
PE 55/2	144	709	626
PE 70/2	144	709	626
PE 110/2	164	779	696



Gewicht: Beinhaltet Pumpe ,horizontal Stützen und Kabel (50 Hz = 10 m; 60 Hz = 15 m)
 Weight: includes pump, horizontal supports and cable (50 Hz = 10 m; 60 Hz = 15 m)
 Peso: include pompa, supporti orizzontali e cavo (50 Hz = 10 m; 60 Hz = 15 m)
 Peso: Incluye bomba, soporte horizontal y cable (50 Hz = 10 m; 60 Hz = 15 m)
 Poids : incluant la pompe, les supports horizontaux et le cable (50 Hz = 10 m; 60 Hz = 15 m)

Guss-Allgemeintoleranzen nach DIN1680 - GTB16
 General tolerances for castings in acc. to DIN1680-GTB16
 Tolleranze generali delle fusioni secondo DIN1680-GTB16
 Tolerancias generales para la fundicion seg. de DIN1680-GTB16
 Tolérance générale de la fonderie selon DIN1680-GTB16

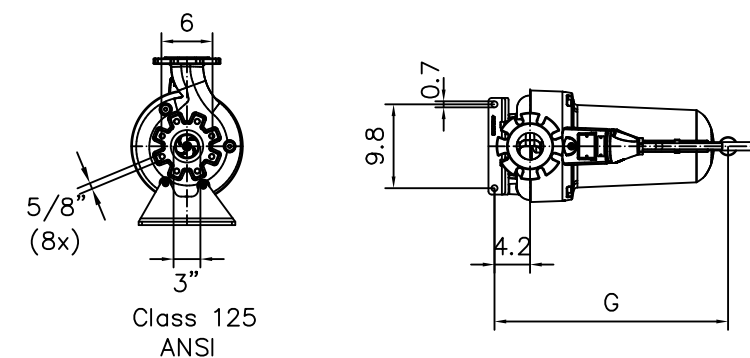
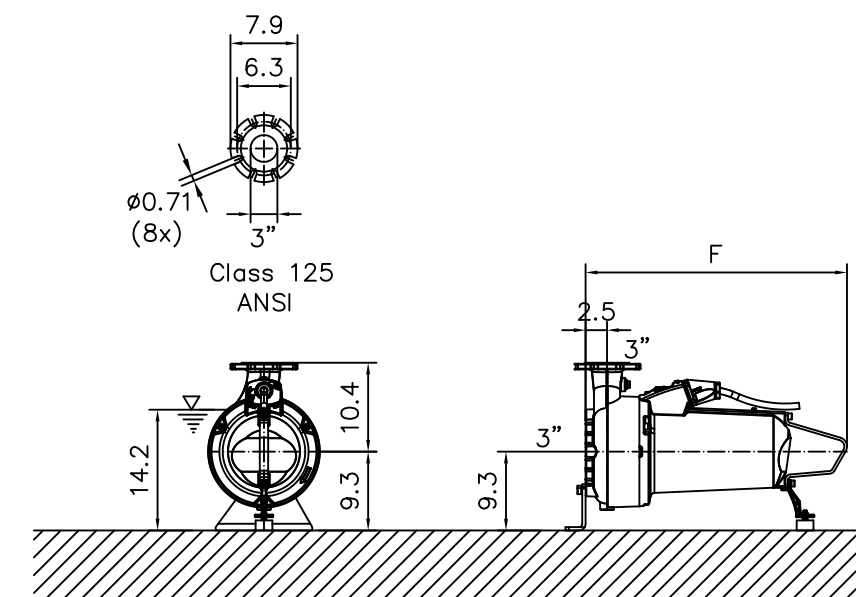
SULZER

Massblatt XFP 81E-VX Trockeninstallation
 Dimension sheet DRY-WELL Installation
 Dimensioni Installazione a secco
 Hoja de dimensiones instalacion en seco
 Plan d'encombrement Installation a sec

No: AN-M.22.622 -04
 Drawn: 11.08.10 / D.Whelan
 Issue Date: 10/06/2019
 Znderungen vorbehalten
 Technical changes reserved
 Con riserva di modifiche
 Con reserva de modificaciones
 Sous réserve de modification

50 Hz**U.S.**

Typ Type Tipo	Gewicht Weight Poids Peso (lbs)	F (")	G (")
PE 55/2	318	27.9	24.7
PE 70/2	318	27.9	24.7
PE 110/2	362	30.7	27.4



Gewicht: Beinhaltet Pumpe ,horizontal Stützen und Kabel (50 Hz = 10 m; 60 Hz = 15 m)
 Weight: includes pump, horizontal supports and cable (50 Hz = 10 m; 60 Hz = 15 m)
 Peso: include pompa, supporti orizzontali e cavo (50 Hz = 10 m; 60 Hz = 15 m)
 Peso: Incluye bomba, soporte horizontal y cable (50 Hz = 10 m; 60 Hz = 15 m)
 Poids : incluant la pompe, les supports horizontaux et le cable (50 Hz = 10 m; 60 Hz = 15 m)

Guss-Allgemeintoleranzen nach DIN1680 - GTB16
 General tolerances for castings in acc. to DIN1680-GTB16
 Tolleranze generali delle fusioni secondo DIN1680-GTB16
 Tolerancias generales para la fundicion seg. de DIN1680-GTB16
 Tolérance générale de la fonderie selon DIN1680-GTB16