

No: M-02.3094 - 02 2

Dat/Nam.: 01.08.2016 / K. Srb

Cad Code: M\_023094

Technical changes reserved  
Änderungen vorbehalten  
Sous réserve de modifications

# XFP 400R-CH3

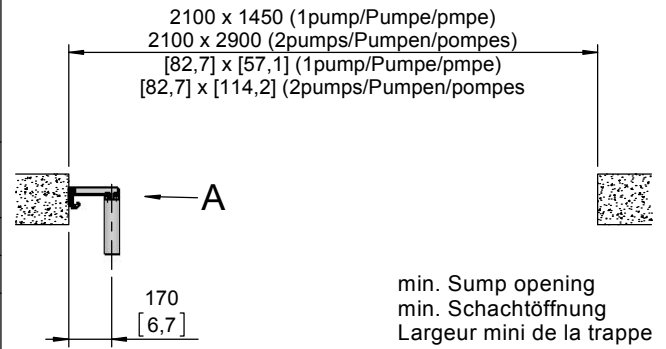
Dimension sheet PE6 WET WELL Installation

Maßblatt PE6 Nassinstallation

Plan d'encombrement PE6 installation submersible



| Type<br>Typ<br>Type | Type<br>Typ<br>Type | Weight<br>Gewicht<br>Poids |       | H    |        | Size |
|---------------------|---------------------|----------------------------|-------|------|--------|------|
|                     |                     | MK                         |       | (mm) | (inch) |      |
| 50Hz                | 60Hz                | (~kg)                      | (~lb) |      |        |      |
|                     |                     |                            |       |      |        |      |
| PE 1100/6-R         | PE 1250/6-R-60      | 2735                       | 6031  | 2294 | 90.3   | A    |
| PE 1320/6-R         | PE 1500/6-R-60      | 2815                       | 6207  |      |        |      |
| PE 1600/6-R         | PE 1850/6-R-60      | 3115                       | 6869  | 2454 | 96.6   | B    |
| PE 2000/6-R         | PE 2200/6-R-60      | 3295                       | 7265  | 2554 | 100.6  | C    |
| PE 900/8-R          | PE 1040/8-R-60      | 2705                       | 5965  |      |        |      |
|                     | PE 1250/8-R-60      | 2750                       | 6064  | 2294 | 90.3   | A    |
|                     | PE 1500/8-R-60      | 2825                       | 6229  |      |        |      |

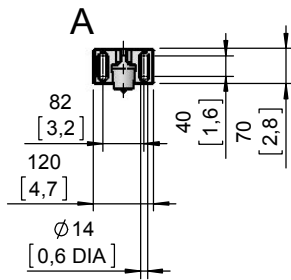


Weight: Includes pump, slider bracket and 10m cable  
Gewicht: Beinhaltet Pumpe, Halterung und 10m Kabel  
Poids: Pompe, coulisseau et 10m de câble

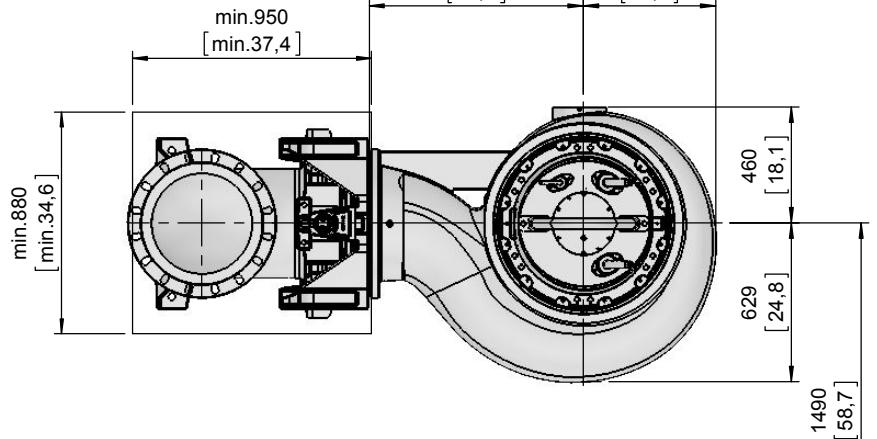
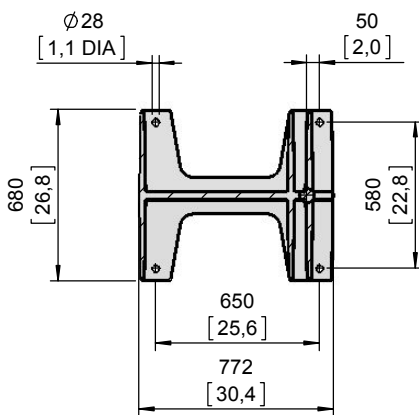
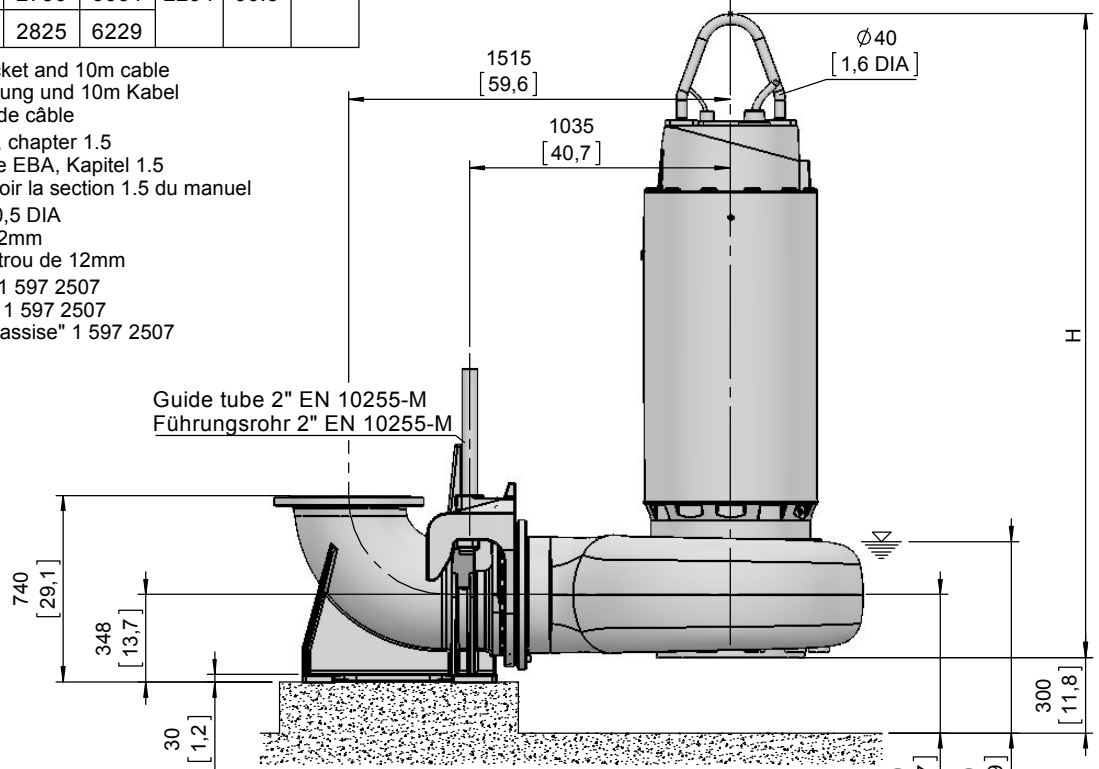
For different cable length see IOM, chapter 1.5  
Für abweichende Kabellänge siehe EBA, Kapitel 1.5  
Pour des longueurs supérieures, voir la section 1.5 du manuel

For hex.-woodscrew 0,4\*2,8 plug 0,5 DIA  
Für Skt.-Holzschr. 10\*70 Dübel Ø12mm  
Pour vis à bois hexagonale 10\*70 trou de 12mm

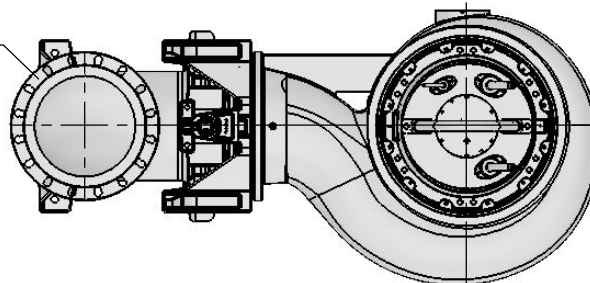
Installation instructions "pedestal" 1 597 2507  
Installationsanweisung "Fußstück" 1 597 2507  
Instruction d'installation du "pied d'assise" 1 597 2507



Guide tube 2" EN 10255-M  
Führungsrohr 2" EN 10255-M



DN400, DIN EN 1092-2, PN10  
16" ANSI B16.1 CLASS 125



[ mm ]  
[ inch ]

MK = Mit Kühlmantel  
With cooling jacket  
Avec enveloppe de refroidissement

# XFP 400R-CH3

Dimension sheet PE6 DRY WELL Installation

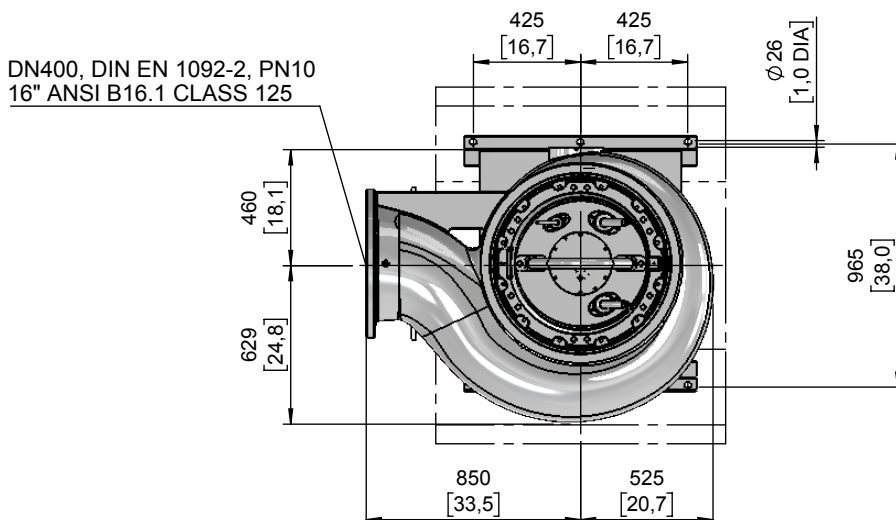
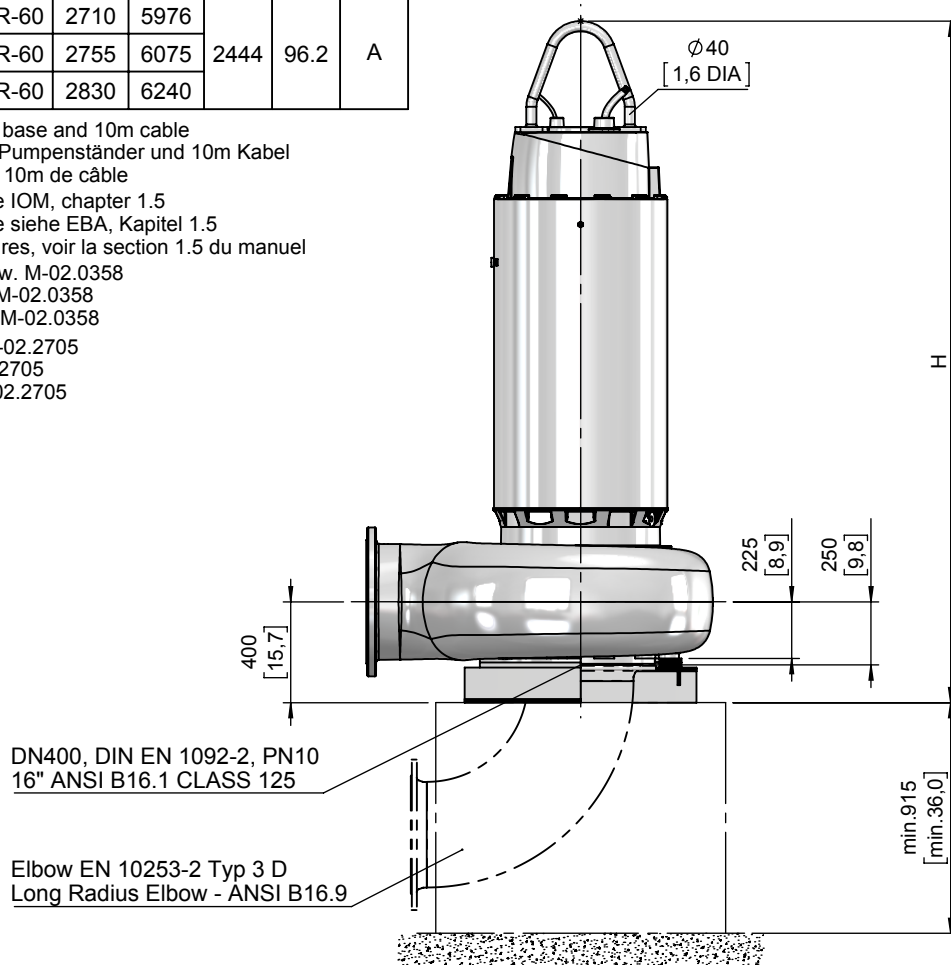
Maßblatt PE6 Trockeninstallation

Plan d'encombrement PE6 installation fosse sèche



| Type<br>Typ<br>Type | Type<br>Typ<br>Type | Weight<br>Gewicht<br>Poids |       | H    |        | Size |
|---------------------|---------------------|----------------------------|-------|------|--------|------|
|                     |                     | MK                         |       | (mm) | (inch) |      |
| 50Hz                | 60Hz                | (~kg)                      | (~lb) |      |        |      |
| PE 1100/6-R         | PE 1250/6-R-60      | 2740                       | 6042  | 2444 | 96.2   | A    |
| PE 1320/6-R         | PE 1500/6-R-60      | 2820                       | 6218  |      |        |      |
| PE 1600/6-R         | PE 1850/6-R-60      | 3120                       | 6880  | 2604 | 102.5  | B    |
| PE 2000/6-R         | PE 2200/6-R-60      | 3300                       | 7277  | 2704 | 106.5  | C    |
| PE 900/8-R          | PE 1040/8-R-60      | 2710                       | 5976  | 2444 | 96.2   | A    |
|                     | PE 1250/8-R-60      | 2755                       | 6075  |      |        |      |
|                     | PE 1500/8-R-60      | 2830                       | 6240  |      |        |      |

Weight: Includes pump, skirt base and 10m cable  
 Gewicht: Beinhaltet Pumpe, Pumpenständer und 10m Kabel  
 Poids: Pompe, coulisseau et 10m de câble  
 For different cable length see IOM, chapter 1.5  
 Für abweichende Kabellänge siehe EBA, Kapitel 1.5  
 Pour des longueurs supérieures, voir la section 1.5 du manuel  
 Connection details acc. to drw. M-02.0358  
 Anschlussdetails nach Blatt M-02.0358  
 Détails des brides cf. dessin M-02.0358  
 Foundation in acc. to drw. M-02.2705  
 Fundament nach Plan M-02.2705  
 Fondation selon schéma M-02.2705



mm [inch]  
 MK = Mit Kühlmantel  
 With cooling jacket  
 Avec enveloppe de refroidissement

# XFP 400R-CH3

Dimension sheet PE6 DRY WELL Installation HA

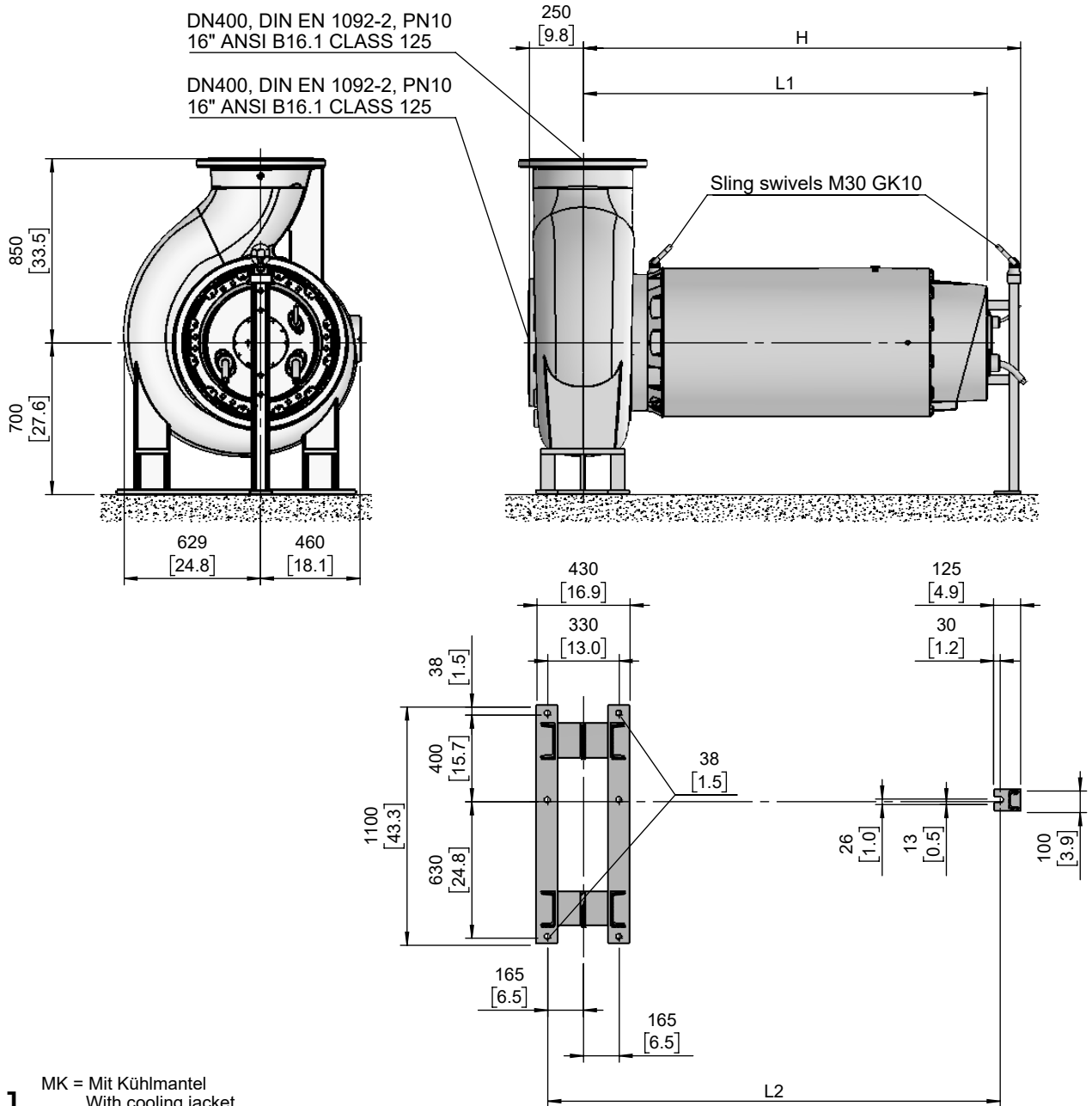
Maßblatt PE6 Trockeninstallation HA

Plan d'encombrement PE6 installation fosse sèche HA



| Type<br>Typ<br>Type | Type<br>Typ<br>Type | Weight<br>Gewicht<br>Poids |                | H    |        | L1   |        | L2   |        | Size |      |   |
|---------------------|---------------------|----------------------------|----------------|------|--------|------|--------|------|--------|------|------|---|
|                     |                     | MK                         |                | (mm) | (inch) | (mm) | (inch) | (mm) | (inch) |      |      |   |
| 50Hz                | 60Hz                | PE 1100/6-R                | PE 1250/6-R-60 | 2715 | 5987   | 1764 | 69.4   | 1604 | 63.1   | 1829 | 72.0 | A |
|                     |                     | PE 1320/6-R                | PE 1500/6-R-60 | 2795 | 6163   |      |        |      |        |      |      |   |
| PE 1600/6-R         | PE 1850/6-R-60      | 3095                       | 6824           | 1924 | 75.7   | 1764 | 69.4   | 1989 | 78.3   | B    |      |   |
| PE 2000/6-R         | PE 2200/6-R-60      | 3275                       | 7221           | 2024 | 79.7   | 1864 | 73.4   | 2089 | 82.2   | C    |      |   |
| PE 900/8-R          | PE 1040/8-R-60      | 2685                       | 5920           | 1764 | 69.4   | 1604 | 63.1   | 1829 | 72.0   | A    |      |   |
|                     | PE 1250/8-R-60      | 2730                       | 6020           |      |        |      |        |      |        |      |      |   |
|                     | PE 1500/8-R-60      | 2805                       | 6185           |      |        |      |        |      |        |      |      |   |

Weight: Includes pump, supports and 10m cable  
 Gewicht: Beinhaltet Pumpe, Stützen und 10m Kabel  
 Poids: Pompe, supports et 10m de câble  
 For different cable length see IOM, chapter 1.5  
 Für abweichende Kabellänge siehe EBA, Kapitel 1.5  
 Pour des longueurs supérieures, voir la section 1.5 du manuel  
 Connection details acc. to drw. M-02.0358  
 Anschlussdetails nach Blatt M-02.0358  
 Détails des brides cf. dessin M-02.0358



mm [inch]  
 MK = Mit Kühlmantel  
 With cooling jacket  
 Avec enveloppe de refroidissement





No: M-02.0358 - 08

Dat/Nam.: 18.02.2015 / K. Srb

Cad Code: M\_020358

Technical changes reserved  
Änderungen vorbehalten  
Sous réserve de modifications

# AFP 4004 / XFP 400R-CH

Anschlussmaße Trockeninstallation

Fitting dimensions DRY WELL Installation

Dimensions d'encombrement Installation à sec

# SULZER

DN400, DIN EN 1092-2, PN10 M24 32/39 tief  
16" ANSI B16.1 CLASS 125 1" 1.3/1.5 deep

DN400, DIN EN 1092-2, PN10  
16" ANSI B16.1 CLASS 125

12xM20  
28/34 tief  
1.1/1.4 deep

15°

Ø725  
[28,5 DIA]

Druckmessung 3/8"  
Pressure gauge

225 [8,9]  
250 [9,8]

38 [1,5]

490 [19,3]

4xM24  
50/tief  
2/deep

275 [10,8]

500 [19,7]

460 [18,1]

629 [24,8]

160 [6,3]

850 [33,5]

525 [20,7]

[ mm ]  
[ inch ]

